

Metering Faucet with Mixer

Product Specifications



Dual Supply Line with Mixer
115.719.21.2

GEBERIT®

Advanced plumbing technology

Model 115.719.21.2 Metering Faucet - Dual Supply with Mixer

Product Specifications

Faucet shall be chrome-plated, solid brass construction, with triple chrome plating measuring 4-13/16" (12 cm) from centerline of faucet.

Faucet shall feature: single hole mounting; dual supply lines; metering control valve that is separate from the in-coming water flow thus independent of fluctuations in water pressure; an adapter that connects directly to a 3/8" supply valve; flow control 0.5 GPM (1.9 lpm) vandal resistant aerator; 13-1/4" (33.7 cm) stainless supply line (provided); filter and backflow preventer (provided); lever handle for ADA compliance.

Warranty

Five-year limited

Options

4" c.c. chrome bolt down plate
Dual supply lines

Features

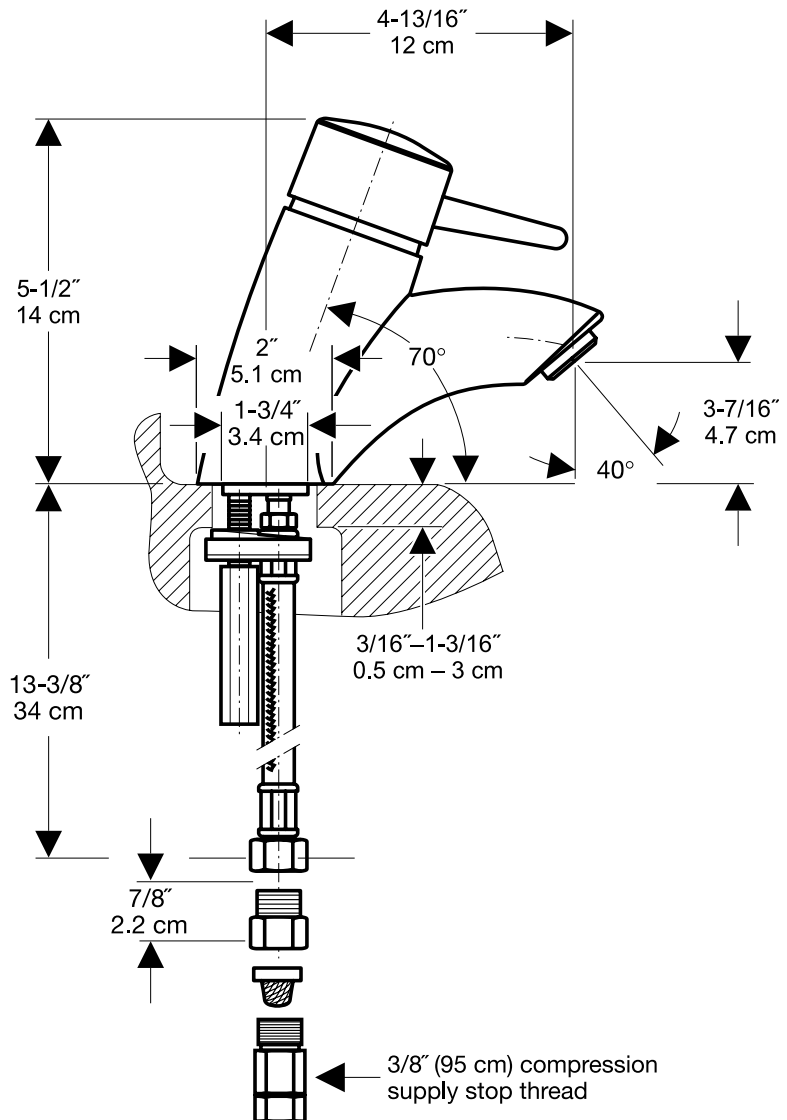
- Adjustable flow time
- 3-30 flow time range
- Factory setting - 8 seconds +/- 2 seconds
- Supply lines measure 13-1/4" (33.7 cm)
- Solid brass body
- Triple chrome plated
- Vandal resistant aerator
- 0.5 GPM flow (1.9 lpm)
- Full five-year limited warranty
- Lever handle for user temperature adjustments

Technical Data

- Water pressure range:
- 14.5 psi to 145 psi
- 1.0 bar to 10 bar
- Ambient temperature range: 34-104° F (1-40° C)
- Ambient humidity up to 100% RH
- Max. supply temperature: 149° F (65° C)
- Water flow rate:
- 0.5 gpm @ 43.5 psi
- 1.9 lpm @ 3 bar
- Flow time adjustable

Compliance

- ANSI/ASME A112.18 - 2000
- Americans with Disabilities Act (ADA)
- CAN/CSA - B125



■ GEBERIT®

Advanced plumbing technology

Pacific pipe and Pump.

18760 Ridgefield Road NW Shoreline, WA 98177 USA

U.S.: Phone: 206.542.6372 • Fax: 206.542.0532

email: Info@pacificpipeonline.com

www.pacificpipeonline.com